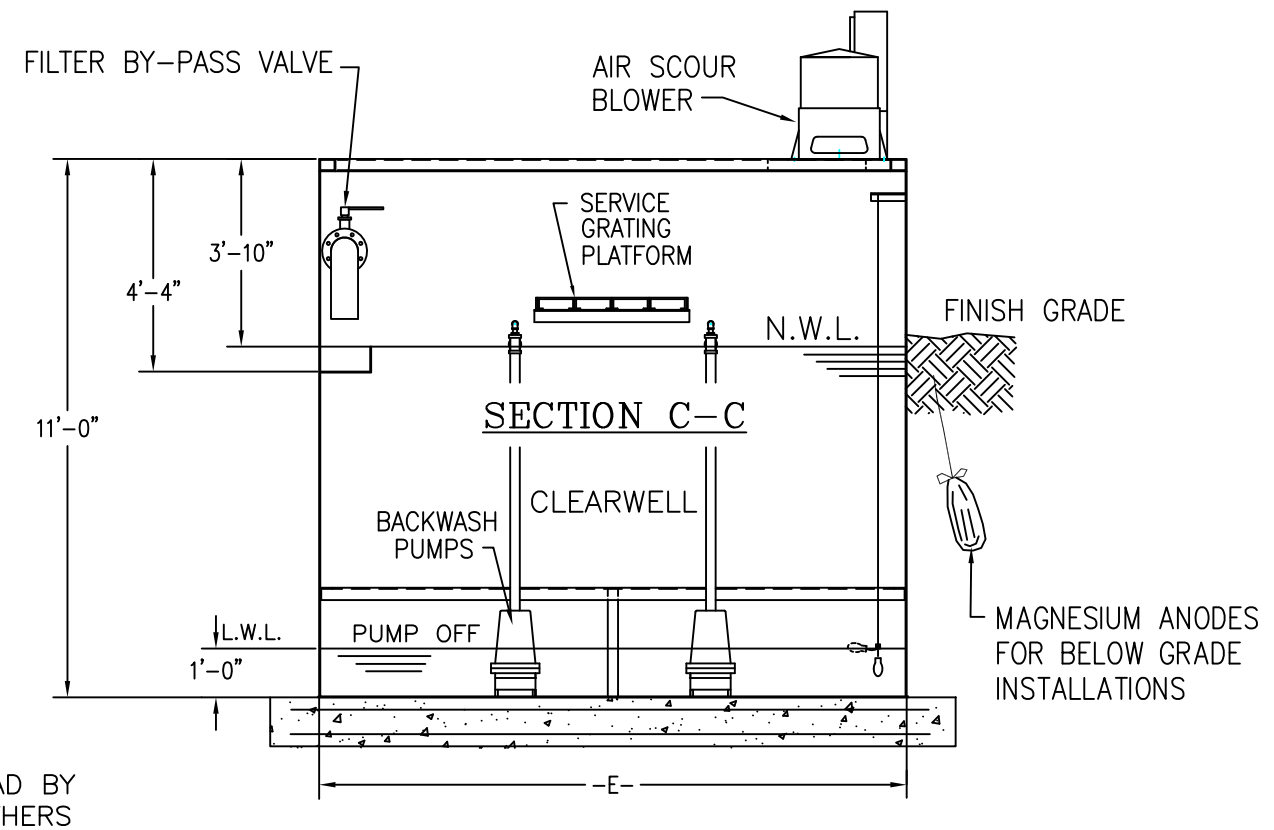
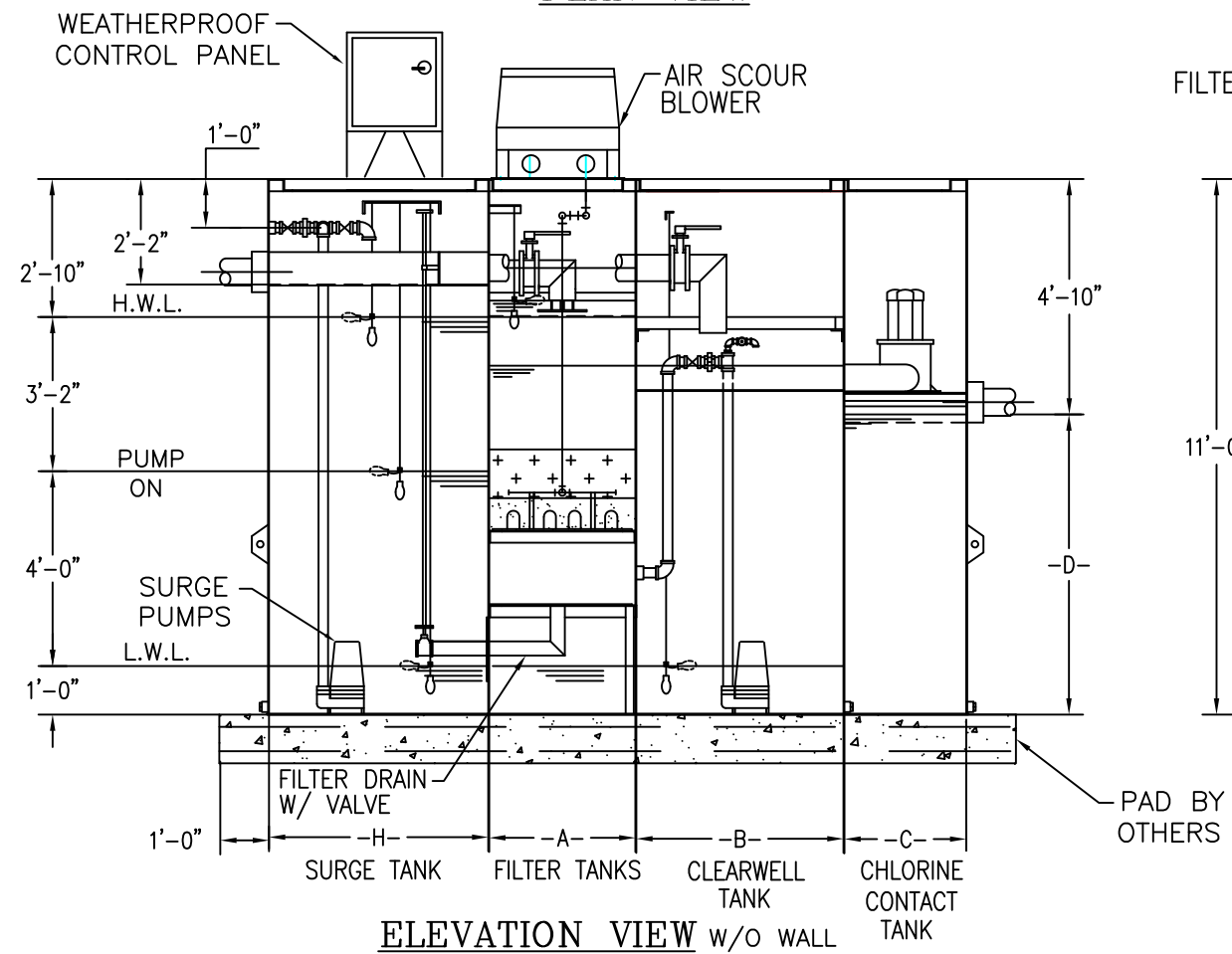
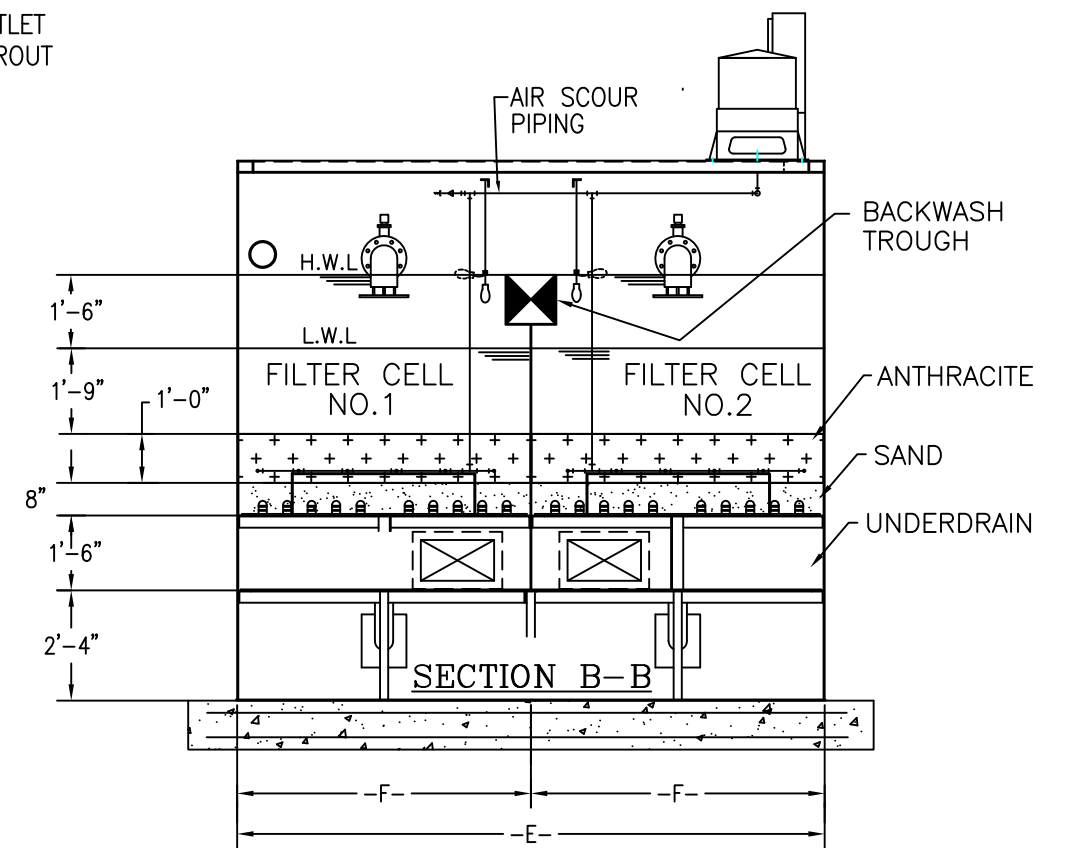
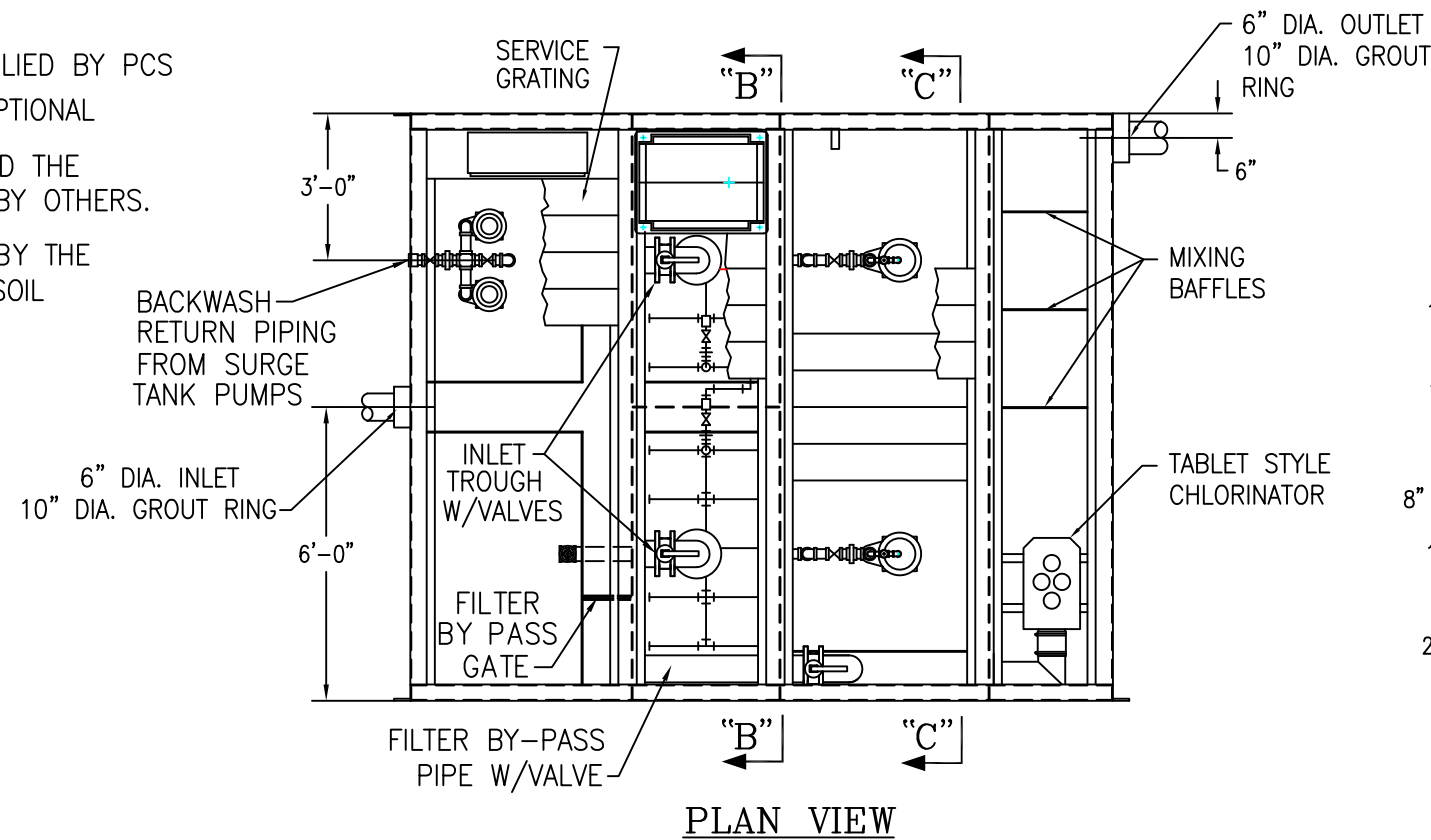


**NOTES:**

- 1.) ALL EXTERNAL TANK PIPING IS NOT SUPPLIED BY PCS
- 2.) ACCESS LADDERS AND HANDRAILS ARE OPTIONAL
- 3.) INCOMING ELECTRICAL POWER SUPPLY AND THE CONNECTION TO THE CONTROL PANEL IS BY OTHERS.
- 4.) FOUNDATION PAD DESIGN IS DETERMINED BY THE PROJECT ENGINEER AFTER PROJECT SITE SOIL ANALYSIS IS COMPLETED



OPTIONAL EQUIPMENT- MATERIALS -TANKAGE	
FULL TANK GRATING	GALVANIZED PIPING
BAR TYPE GRATING	DE-CHLORINATION
HANDRAILS/ TOEPLATES	GAS CHLORINATION
LADDERS/ STAIRWAYS	U V DISINFECTION
ANCHOR BRK'TS	NEMA 4X PANEL
MAGNESIUM ANODES	REMOTE MOUNTED
EPOXY PAINT SYSTEM	BLOWERS & CONTROLS

TERTIARY FILTER MODEL NO.	AREA IN SQ. FT.		CHAMBER VOLUME IN GAL.		
	FILTER CELL NO. 1	FILTER CELL NO. 2	CLEARWELL	SURGE	CHLORINE CONTACT
TF-2- -C					

REV.	DATE	DESCRIPTION	APPROV.
1	12/17/18	ADDED VALVES TO FILTER DRAINS	JJM
2	11/19/14	UPDATED BLOWERS AND ADDED INLET & BYPASS VALVES	CRM

**PCS** Pollution Control Systems, Inc.  
 5827 Happy Hollow Ln, Suite 1B  
 Milford, Ohio 45150  
 (513) 831-1165  
 E-mail PolConSys@aol.com

PREFABRICATED TERTIARY FILTER SYSTEM			
SCALE:	QUOTE NO.	PROJECT NO.	
NTS			
DRAWN BY: JJM	DATE: 7-21-98	SHEET	DRAWING NO.
CHECKED BY: JJM	DATE: 7-21-98	1 OF 1	PF-4-C

THIS DRAWING CONTAINS INFORMATION THAT IS PROPRIETARY TO POLLUTION CONTROL SYSTEMS AND IS NOT TO BE USED WITHOUT PERMISSION OF POLLUTION CONTROL SYSTEMS